

18. Water testing

The objective of bacteriological testing of water is to detect and determine the concentration of faecal bacteria in water supplies in order to:

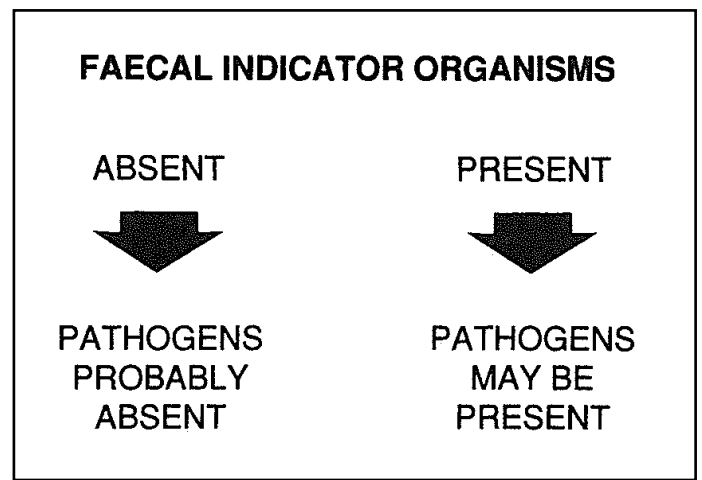


Diagram A

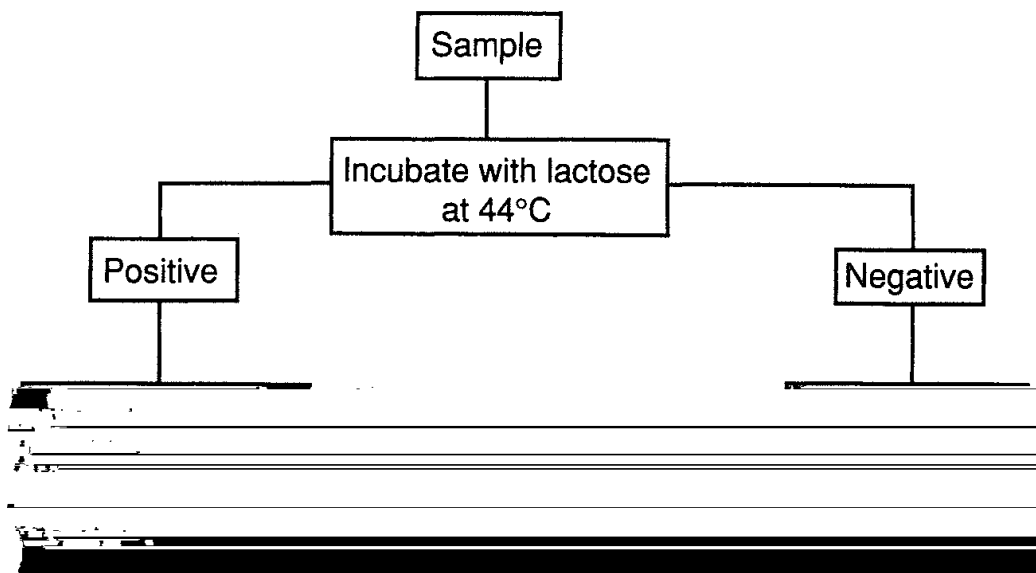


Diagram B

b) Most probable number (MPN) multiple-tube method

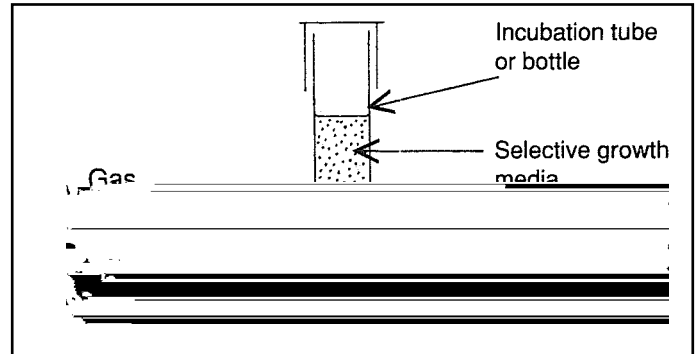


Diagram D

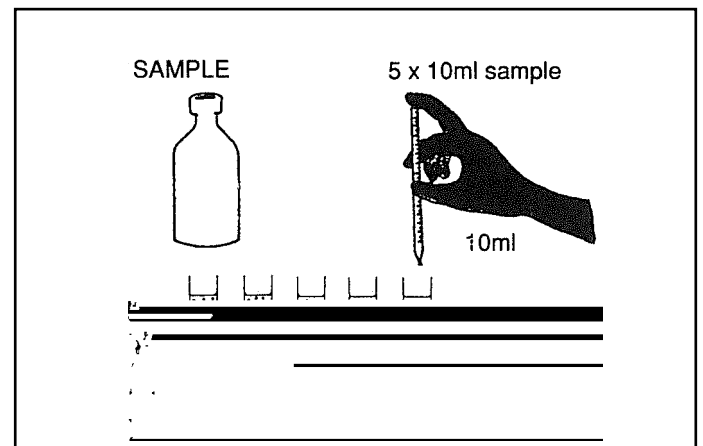


Diagram E

Incubators

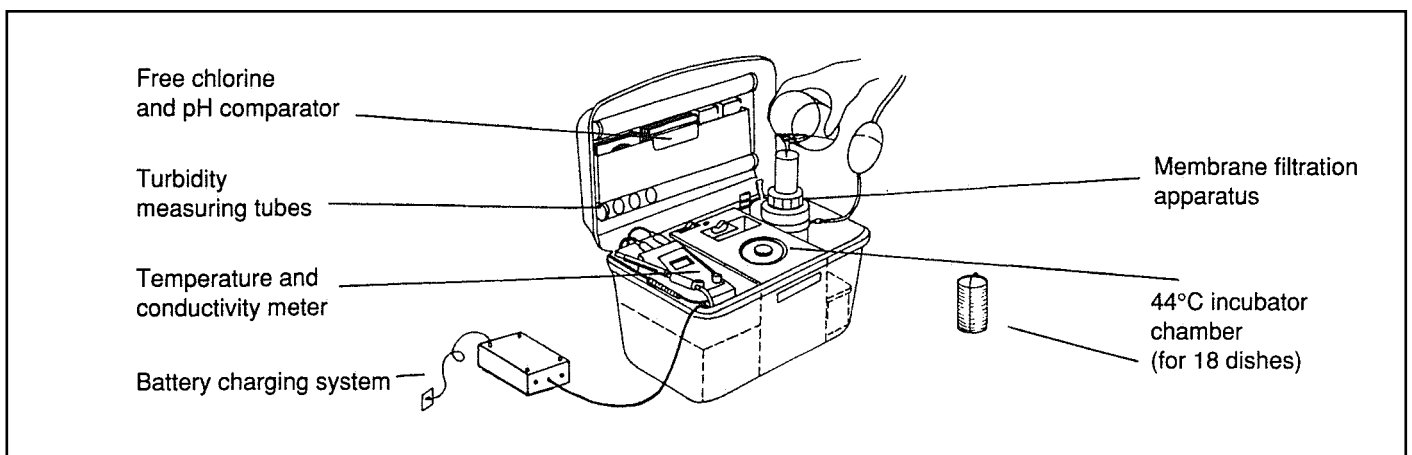


Diagram F

Autoclaves

Membrane filtration apparatus

General hygiene and cleanliness

Samples

B 0.

References and further reading

/ / , *E* ,1 , , ,
 ,1 0.
 , , , , , ,1 .
 , *B* *E* *D* , , ,1 2.
 , , *F* *D* *C* , , ,1 .
 1 . , , *F* . , , .01 0, ,
 , *D* , V . , , ,1 .